

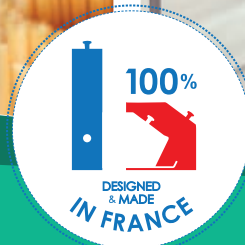
# APPLYVRAC® eterniti®



Sustainable and aesthetic solutions  
for the sale of bulk products



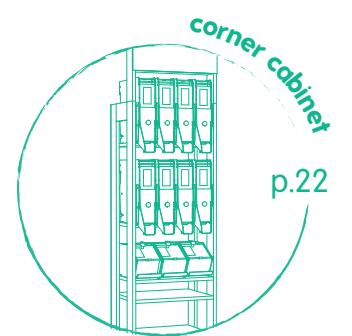
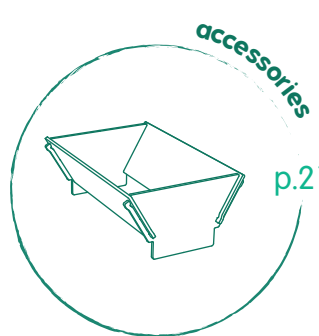
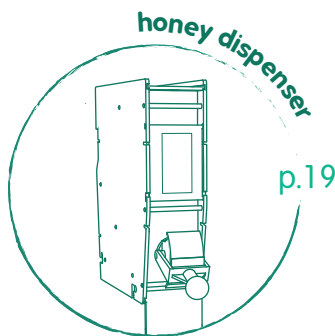
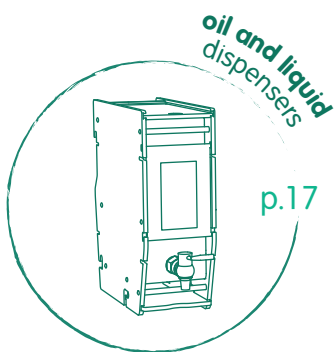
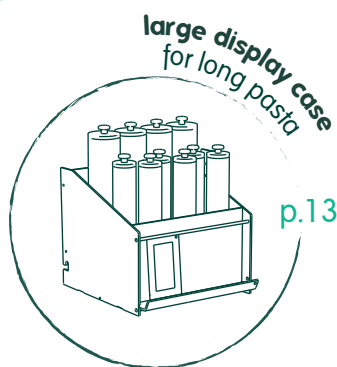
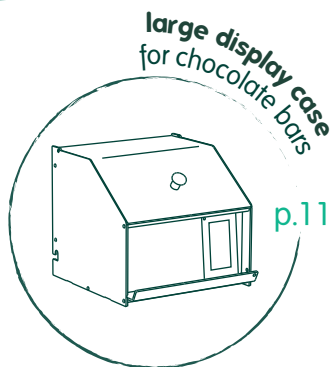
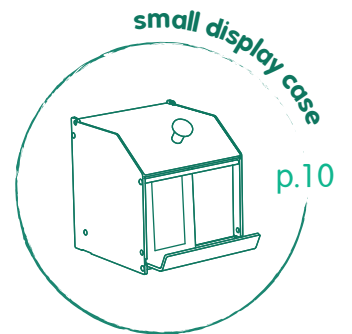
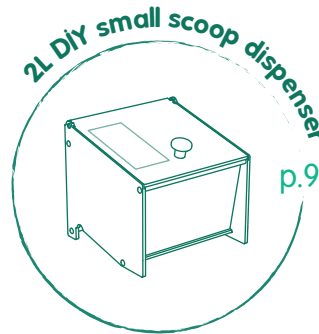
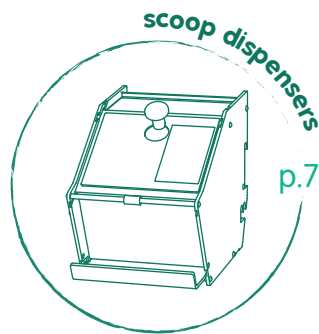
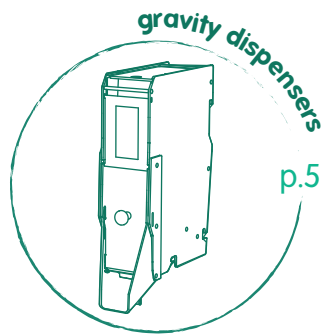
The enticing  
way to present  
bulk goods



Click on the images to go to the relevant section

## The APPLYVRAC® Eterniti® range | p.3

### The different models | p.4

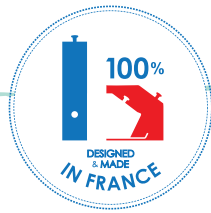


### Some installation examples | p.24

### About APPLYMAGE® | p.25

## Where and how are the products made?

The products in the APPLYVRAC<sup>®</sup> Eterniti<sup>®</sup> range are **entirely designed and manufactured in France**, in the Lyon region, using the **best conventional machining techniques** and a **short supply chain** and local economy approach.



## What does it include? wide choice from 2 to 30L

The APPLYVRAC<sup>®</sup> Eterniti<sup>®</sup> range is made up of eco-designed gravity dispensers, scoop dispensers, display cases, specific dispensers, display stands and corner cabinets. It is constantly evolving to adapt to the **changing needs of retailers and convenience shops** (organic and bulk grocery shops, local alternative grocery shops, delicatessens and local producers, etc.).

## Which requirements do the products meet?

### Food-grade compliance

The materials used to make the products in the APPLYVRAC<sup>®</sup> Eterniti<sup>®</sup> range are naturally **recyclable**. They are approved for contact with food and free from both BPA and phthalates. These physiologically safe **materials** are all **certified according to the standards in force and the latest food regulations** (analyses and tests carried out by several independent French and foreign laboratories).

### Hygiene

The **excellent airtightness** of these dispensers, as well as the antimicrobial treatment used for coating the service knobs, **significantly reduce health risks**. Many parts have been designed to be easily removable and disassembled to enable **quick and thorough cleaning**.

### Sustainability

The materials selected are of **top quality** and extremely impact-resistant, thus ensuring **durability** and a **long lifespan** of the equipment. The **complete repairability** of APPLYVRAC<sup>®</sup> Eterniti<sup>®</sup> dispensers further extends their lifespan.





## clean lines for total transparency

- design combining **simplicity, aesthetics and functionality**
- **excellent product visibility** to **showcase items** in a neat and original way
- **easy to use** for customers
- Instant **visual control** helps shopkeepers to:
  - monitor stocks in real time
  - step up the prevention of health risks



## installation efficiency and freedom

- **less space taken up** in aisles
- **wide choice of volumes** (2 to 30 litres) and **models** adapted to the products and their shelf lives
- **installation possible on all kinds of furniture:**
  - numerous installation solutions (from kitchen dressers to custom furniture)
  - several attachment methods available (very handy for mobile grocery vans)
- **setting up a bulk corner:** cabinets ready to install with integrated dispensers (p.22)



## control and pleasure of self-service

- **intuitive to use:**
  - flap that opens gradually and bag-holder on gravity dispensers
  - reduced waste thanks to the gravity dispensers' safety lock
  - lid that slides downwards on scoop dispensers
- **perfect stability:**
  - safety during handling
- **easy to fill**
- **optimum balance** between dimensions, weights and volumes:
  - reduction in expenses and prevention of musculo-skeletal disorders



## enhanced hygiene

- **easy cleaning** and maintenance:
  - many parts are removable or extractable (including the gravity dispenser spout for regular and rapid cleaning)
  - dispensers are lightweight and sturdy, so they can be cleaned manually with vigour
  - can be placed in professional dishwashers
- **excellent airtightness:**
  - gravity dispensers have a lock and dual-flap system, which helps to reduce health risks
  - scoop dispensers have airtight lids
- **contact area restricted to release knobs** during service:
  - knobs are treated against germs, bacteria, viruses and coronaviruses (including Covid-19)
  - scoop dispensers can be opened without touching the inside of the lid



## exceptional durability

- the materials used are of **top quality** and **extremely impact-resistant**
  - they are guaranteed to be sturdy and last an extremely long time
- **extended life span** of the products:
  - total, simple and fast repairability
  - all components can be replaced by the user
  - assembly is fully mechanical with stainless steel crosspieces (no gluing or welding) / no plastic injection-moulded parts
  - reduction in waste as well as logistical and transport constraints (reduced carbon footprint)
- **5-year contractual warranty**



## possibility of customisation and tailor-made items

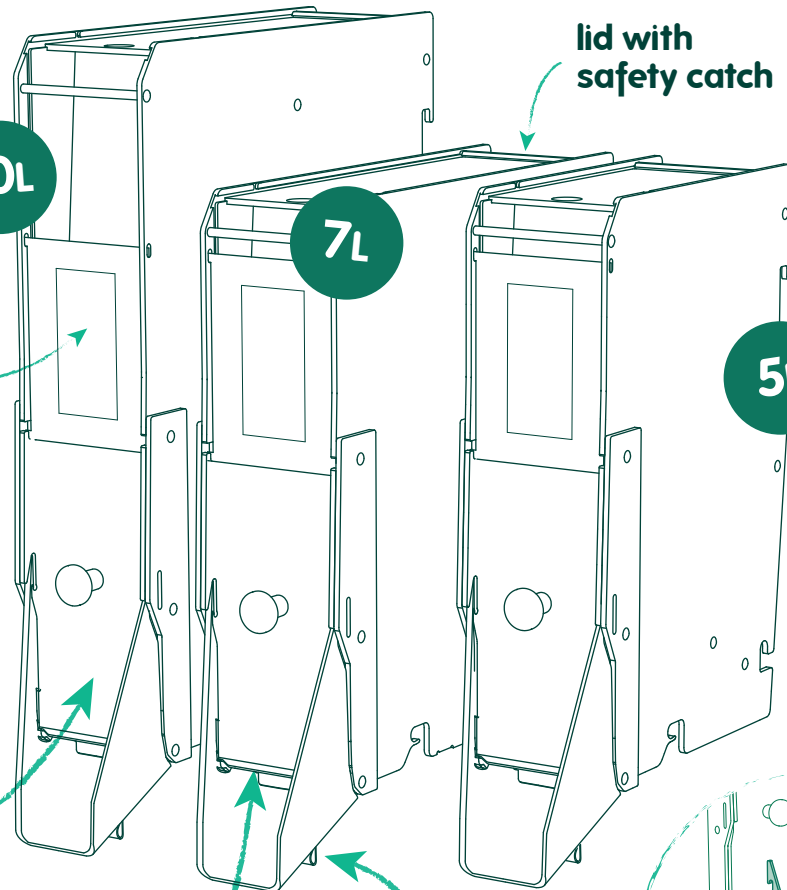
- **in-house design office**
- **adaptation of an existing project** or **a project from A to Z**
  - according to specifications defined with the client

**What products are they suitable for?**

**Small, non-powdery, non-sticky, non-liquid, packaging-free products\***

*\* Kinds of products: please refer to the "contents/containers" list provided*

Thanks to their gentle and gradual **DUAL-FLAP** system, APPLYVRAC® Eterniti® gravity dispensers **DISPENSE JUST THE RIGHT AMOUNT** and offer **GREAT VISIBILITY**. The safety lock reduces waste and health risks. The bag-holder makes it easier for customers to fill up their bags. The extractable parts (lid, front panel, flap, spout and bag-holder) ensure **EFFECTIVE CLEANING**. Several attachment methods are available for greater installation efficiency and freedom. This handy solution is particularly popular in mobile grocery vans.



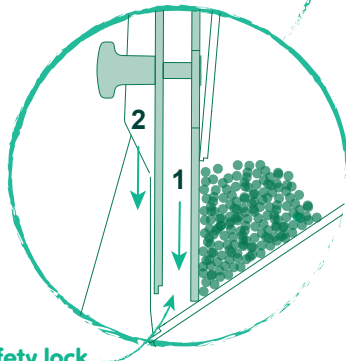
transparent and removable large format label holder

gentle and gradual vertical opening



**dual flap with safety lock**

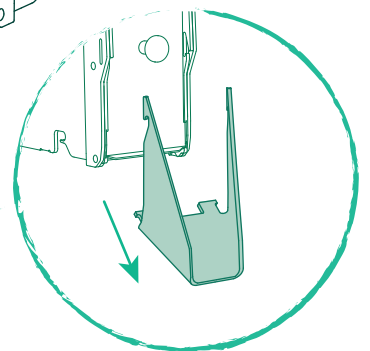
opening and closing in 2 stages: safer, more hygienic more airtight and no waste!



safety lock

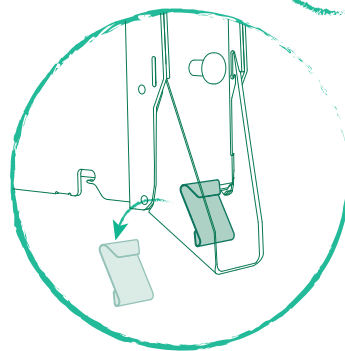
**extractable spout**

for quick and easy filling and cleaning



**removable bag-holder**

makes it very easy for customers to fill up their bags





• Dimensions (in mm)

**5L** overall: 120 (w.) x 457 (h.) x 300 (d.) <sup>(1)</sup>  
(excl. spout: 120 (w.) x 395 (h.) x 278 (d.))

**7L** overall: 120 (w.) x 457 (h.) x 400 (d.) <sup>(2)</sup>  
(excl. spout: 120 (w.) x 395 (h.) x 378 (d.))

**10L** overall: 120 (w.) x 552 (h.) x 400 (d.) <sup>(2)</sup>  
(excl. spout: 120 (w.) x 490 (h.) x 378 (d.))

<sup>(1)</sup> : min. depth of the furniture unit or shelf: 219 mm

<sup>(2)</sup> : min. depth of the furniture unit or shelf: 319 mm

• Materials 

Food-grade recyclable PET-G (without Bisphenol A and phthalates), silicone and stainless steel, solid wood (PEFC)

• Weight

**5L**: approx. 2.1 kg

**7L**: approx. 2.4 kg

**10L**: approx. 2.9 kg



Extended life span



Total reparability



Less space taken up in aisles



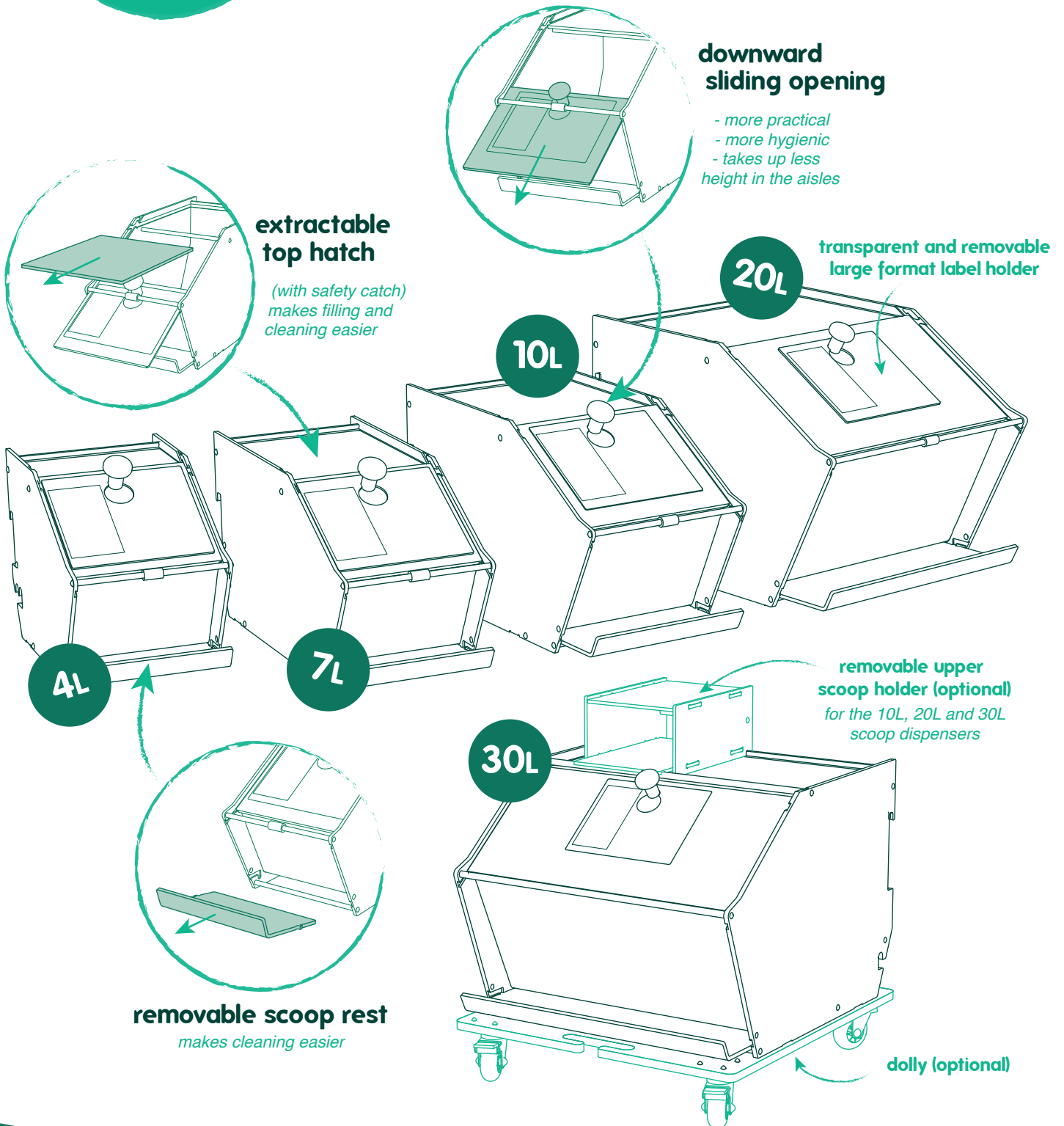
Knobs treated against germs

**What products are they suitable for?**

Products of all sizes, including powdery and floury, complex-shaped and non-liquid products.

The extremely **AIRTIGHT** and **INCREDIBLY VERSATILE** APPLYVRAC® Eterniti® scoop dispensers can be used for all kinds of food or non-food products. Their extractable scoop holder, top hatch and lid make them **EASY TO FILL** and **CLEAN**.

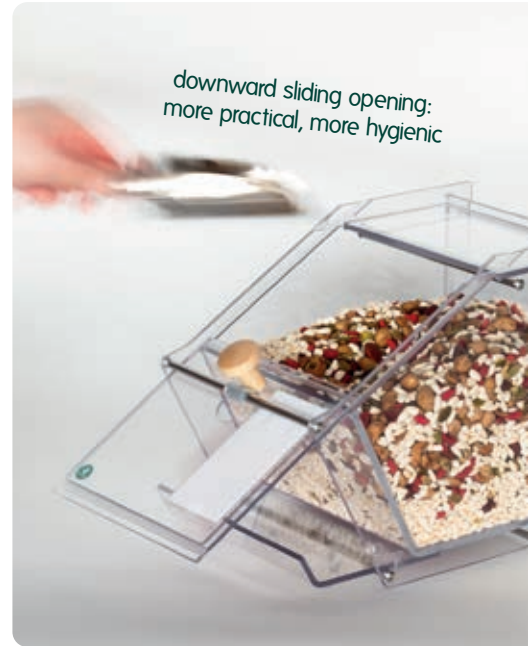
Thanks to its optimum "space-to-volume" ratio and its wide opening, 20L and 30L dispensers are ideal for **VERY HIGH TURNOVER PRODUCTS** (pasta, sugar, flour, sodium bicarbonate, animal food, etc.)



completely transparent for excellent product visibility and promotion



downward sliding opening:  
more practical, more hygienic



dolly tailored to the 30L model (optional)



very easy to clean



• Dimensions (in mm)

- 4L: 170 (w.) x 217 (h.) x 270 (d.)
- 7L: 170 (w.) x 217 (h.) x 375 (d.)
- 10L: 200 (w.) x 250 (h.) x 385 (d.)
- 20L: 316 (w.) x 293 (h.) x 400 (d.)
- 30L: 392 (w.) x 315 (h.) x 415 (d.)

• Materials 

Food-grade recyclable PET-G (without Bisphenol A and phthalates), silicone and stainless steel, solid wood (PEFC)

• Weight

- 4L: approx. 1.2 kg
- 7L: approx. 1.6 kg
- 10L: approx. 2 kg
- 20L: approx. 3.6 kg
- 30L: approx. 5.4 kg  
(dolly: approx. 2.1 kg)



Extended life span



Total reparability



Optimum airtightness



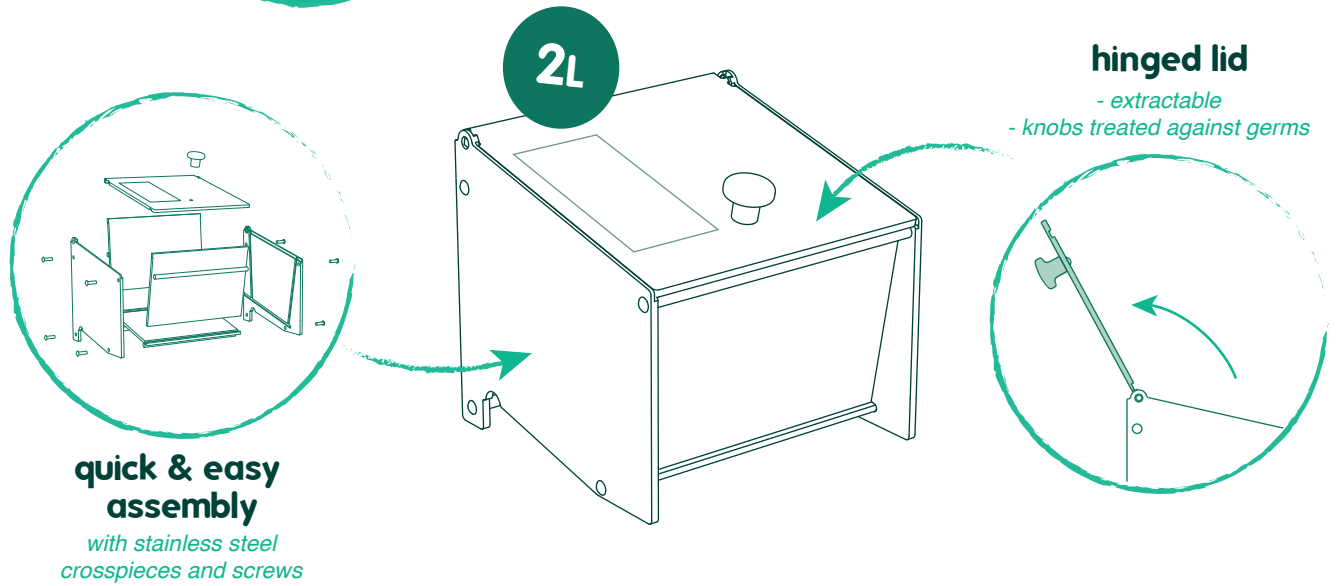
Knobs treated against germs



What products are they suitable for?

Ideal for **loss leaders** or **products to be tested for sale**

The 2L APPLYVRAC® Eterniti® scoop dispenser is particularly suitable for displaying and housing **LOSS LEADERS**, 'TOP PICKS', products **TO BE TESTED FOR SALE**, or **FESTIVE/SEASONAL PRODUCTS**. Its **COMPACT SIZE** and **LOW PRICE** make it ideal for mass installation in order to group product families together and encourage free placement in the sales space. It is also more **ECO-FRIENDLY** thanks to its flat packaging, which significantly reduces the volume during shipping.



can be stacked on 2 or 3 levels, if required



• **Dimensions** (in mm)  
170 (w.) x 157 (h.) x 160 (d.)

• **Materials** Food-grade recyclable PET-G (without Bisphenol A and phthalates) and stainless steel, solid wood (PEFC)

• **Weight**  
approx. 0.7 kg



Extended life span



Total reparability



Lightweight



Ideal for festive periods



Knobs treated against germs

What products are they suitable for?

ideal for top picks!

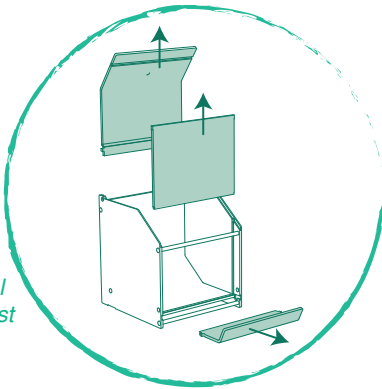
The very elegant 3L APPLYVRAC® Eterniti® display case is ideal for presenting and housing **LOSS LEADERS**, **'TOP PICKS'** or **VALUABLE PRODUCTS**.

As it **DOES NOT TAKE UP MUCH SPACE**, it can be placed anywhere, including in prime positions in sales areas.

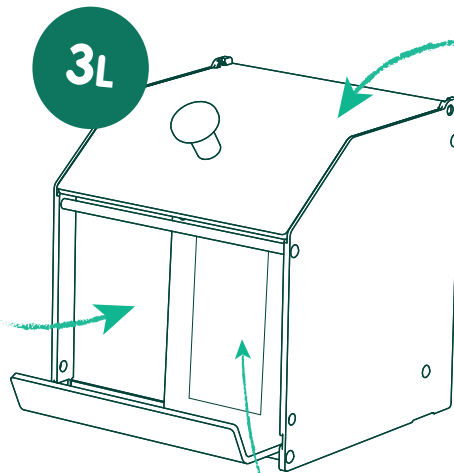
With its removable lid, front panel and scoop rest, it is quick and easy to look after.

rapid and simple maintenance

thanks to removable lid, front panel and scoop rest



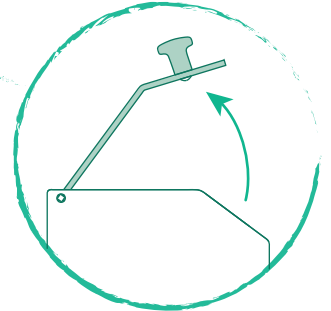
3L



transparent and removable label holder

hinged lid

- very large opening
- extractable
- optimum airtightness
- knobs treated against germs




optimum accessibility



very easy to clean

• Dimensions (in mm)  
170 (w.) x 196 (h.) x 215 (d.)

• Materials   
Food-grade recyclable PET-G (without Bisphenol A and phthalates), silicone and stainless steel, solid wood (PEFC)

• Weight  
approx. 0.9 kg



Extended life span



Total reparability



Lightweight



ideal for festive periods



Knobs treated against germs

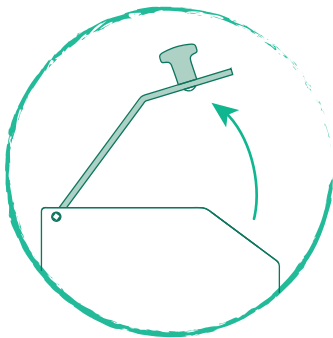
# LARGE DISPLAY CASE

FOR CHOCOLATE BARS

What products are they suitable for?

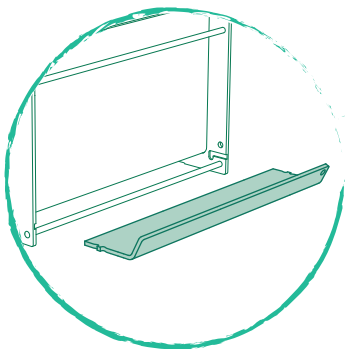
Ideal for chocolate bars!

Due to its natural elegance, the APPLYVRAC® Eterniti® large display case can be used for products which require **SPECIAL PRESENTATION** and can't be placed in gravity or scoop dispensers like chocolate bars. Its removable tongs rest and lid make it particularly **EASY to USE** and **MAINTAIN**.

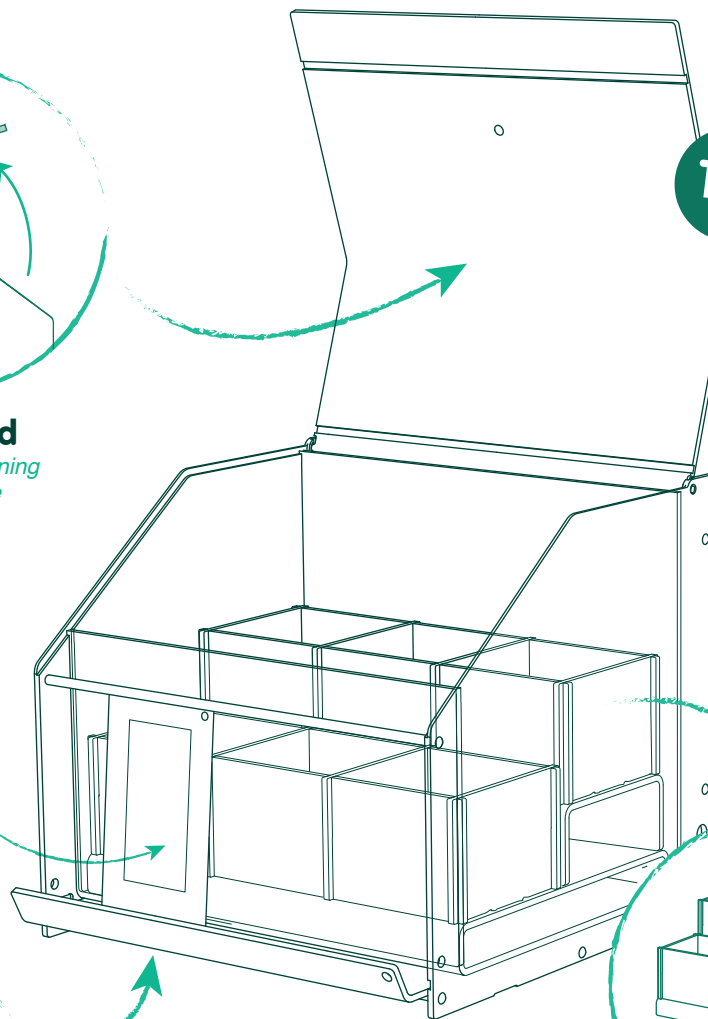


**hinged lid**  
- very large opening  
- extractable

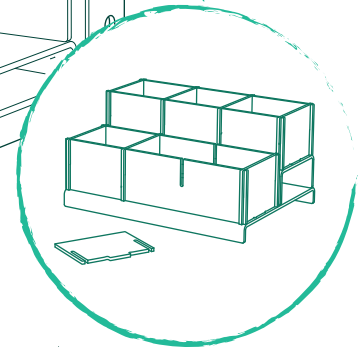
**transparent and removable label holder**  
(additional copies on request)



**removable tongs rest**  
makes cleaning easier



15L



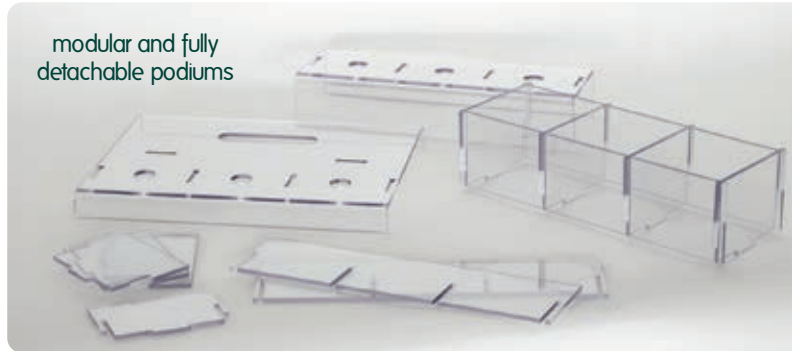
**modular podiums**  
- 2 to 6 compartments  
- removable and fully detachable



6 compartments



modular and fully detachable podiums



very easy to clean



● Dimensions (in mm)

overall: 312 (w.) x 281 (h.) x 327 (d.)  
compartments (inside): 90 (w.) x 75 (h.) x 89 (d.)

● Materials

Food-grade recyclable PET-G (without Bisphenol A and phthalates), stainless steel, solid wood (PEFC)

● Capacity

- 15L  
- 36 to 60 chocolate bars (depending on thickness)

● Weight

approx. 3.9 kg



Extended life span



Total reparability



Great modularity



Knobs treated against germs

# LARGE DISPLAY CASE

FOR LONG PASTA

What products are they suitable for?

Ideal for long pasta!

The APPLYVRAC® Eterniti® display case with bottles has been designed for an **ATTRACTIVE PRESENTATION** of loose long pasta with **PRE-DOSING**.

There are two modular podiums with ten **AIRTIGHT BOTTLES** made of **BOROSILICATE GLASS**.

### pre-dosing of bottles

250 g of long pasta per 400 ml bottle  
500 g of long pasta per 880 ml bottle

bottles made of borosilicate glass

13 L

transparent and removable label holder  
(additional copies on request)

### modular bottles and podiums

- excellent airtightness
- easy and quick to clean

### removable tongs rest

*makes cleaning easier*



• **Dimensions** (in mm)

312 (w.) x 378 (h.) x 327 (d.)

• **Materials** 

Food-grade recyclable PET-G (without Bisphenol A and phthalates), borosilicate glass, silicone, stainless steel, solid wood (PEFC)

• **Capacity**

4 x 880 ml bottles + 6 x 400 ml bottles

• **Weight**

approx. 5.8 kg



Extended life span

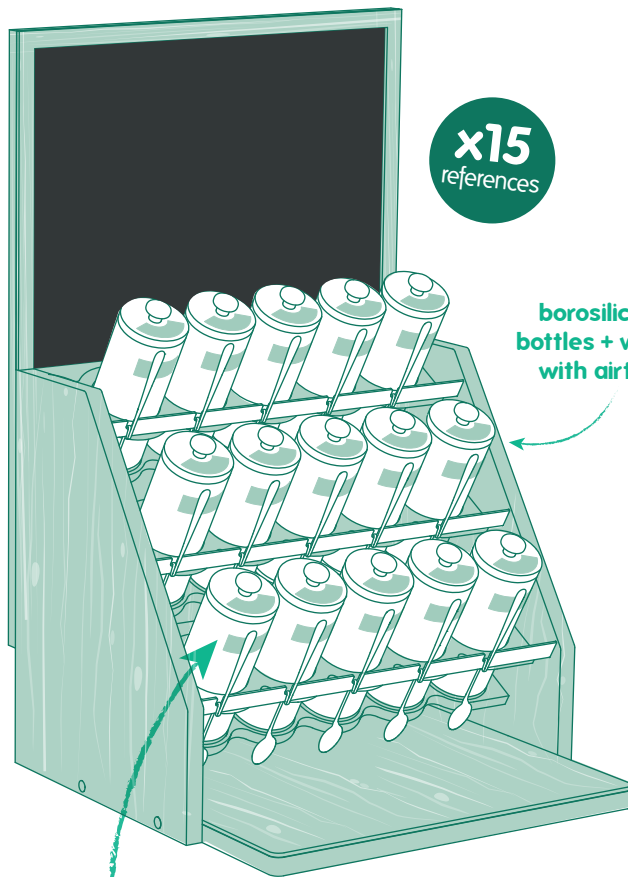


Total reparability



Perfectly airtight bottles

This display stand has been specially designed to offer **THE LARGEST SELECTION OF HERBS AND SPICES** for sale in a **COMPACT SPACE**. **MODULAR** and requiring no special installation, it will always find its place in any retail environment.



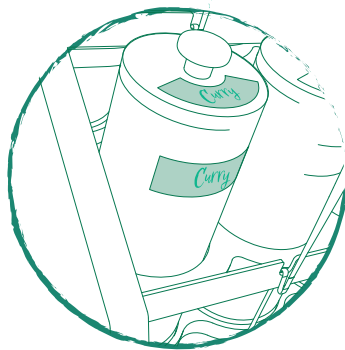
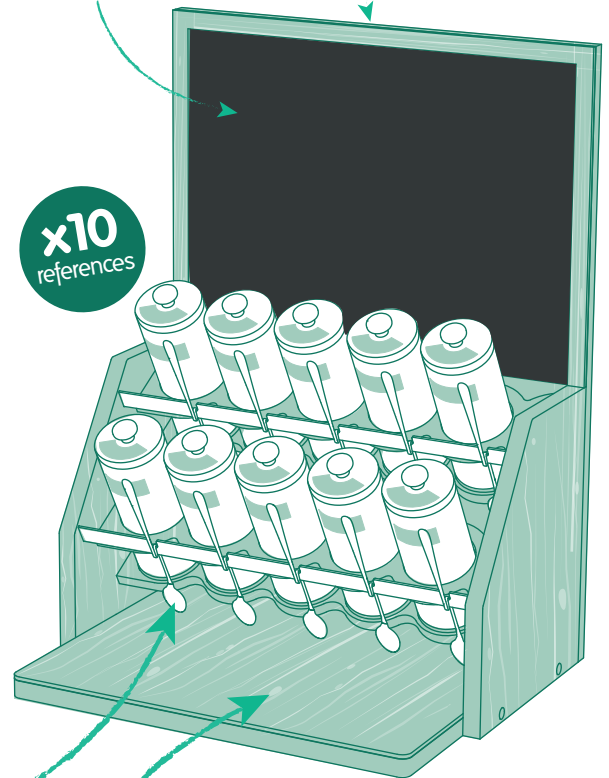
**x15**  
references

borosilicate glass  
bottles + wooden lids  
with airtight seals

removable  
blackboard-style  
rear panel  
(optional)

solid wood structure

**x10**  
references

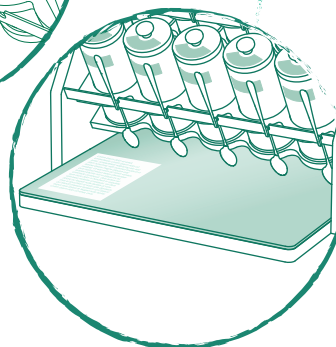
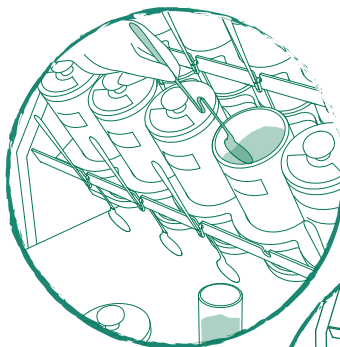


**double labelling**

- reduces the risk of mixing references
- guarantees excellent visibility for customers
- blank, erasable labels provided

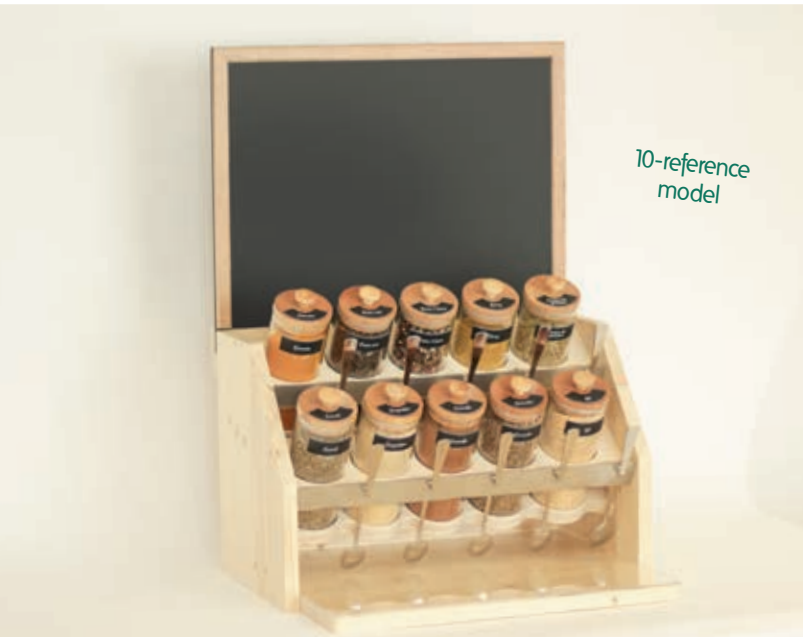
**spoon service**

- stainless steel spoons integrated into the display stand
- 1 spoon per bottle
- precise service in small quantities



**transparent, removable  
service plate**

- quick and easy to clean on a daily basis
- possibility to slide detailed information sheets underneath
- protection for the wooden base



• Dimensions (in mm)

**10-reference model:** 460 (w.) x 362 (h.) x 380 (d.)  
with rear panel: 460 (w.) x 635 (h.) x 415 (d.)  
**15-reference model:** 460 (w.) x 467 (h.) x 460 (d.)  
with rear panel: 460 (w.) x 750 (h.) x 495 (d.)

• Capacity

500 ml / bottle

• Materials 

**structure:** solid pine wood, plywood (PEFC- and/or FSC-certified), food-safe varnish, PMMA  
**bottle:** food-grade borosilicate glass, solid wood (PEFC), silicone and stainless steel  
**spoon:** food-grade stainless steel



Extended life span



Total reparability



Perfectly airtight bottles



Less space taken up in aisles



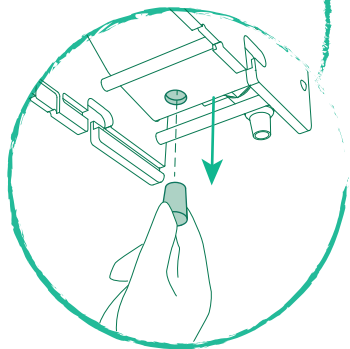
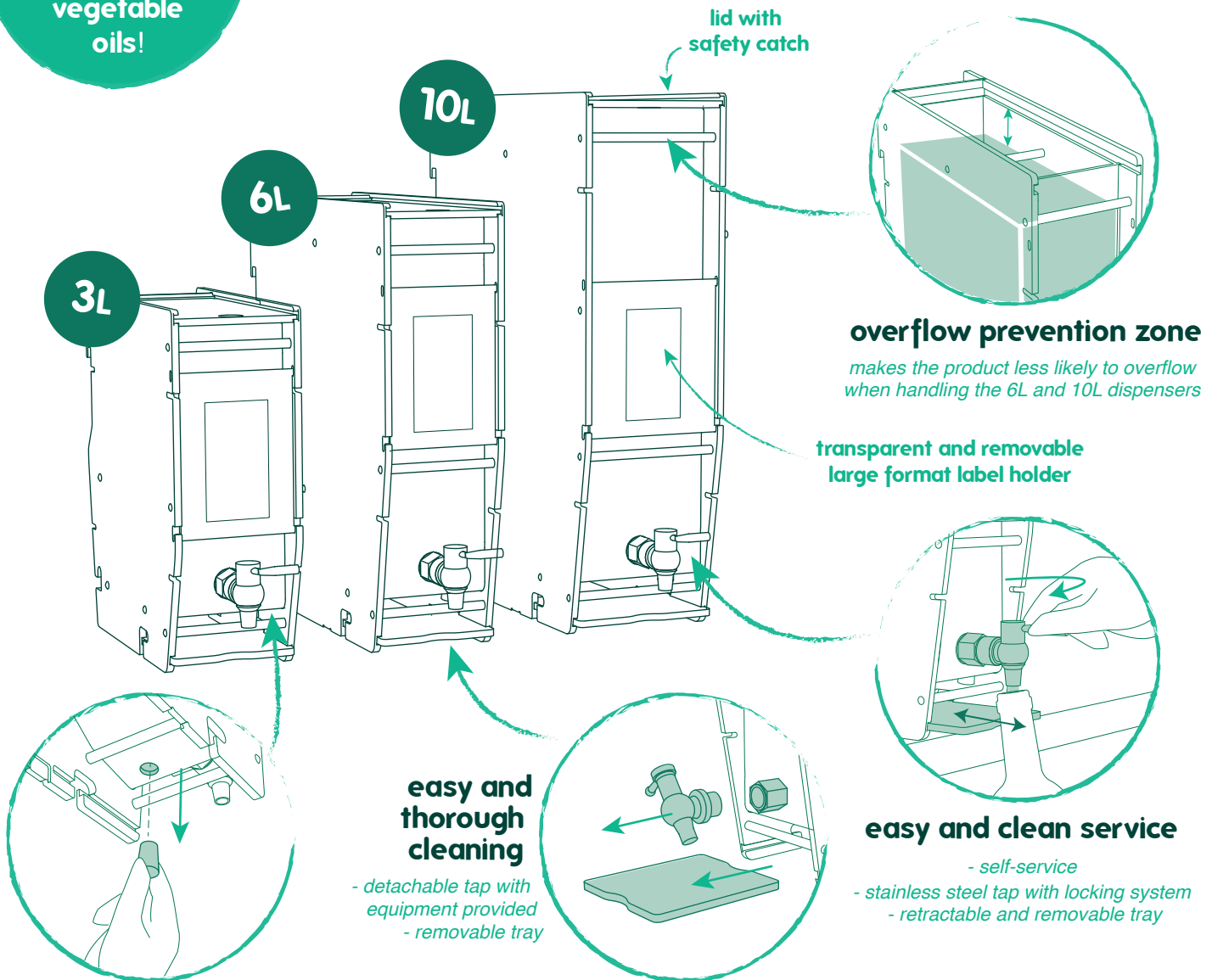
What products are they suitable for?

Ideal for vegetable oils!

APPLYVRAC® Eterniti® oil and liquid dispensers are designed to ensure **CLEAN AND SAFE SERVICE** thanks to their precision tap and their removable tray.

The **EMPTYING SYSTEM** ensures that every last drop of the liquid is recovered; it also makes the dispenser easier to clean.

And as these dispensers are totally transparent they are ideal for promoting the product on sale.

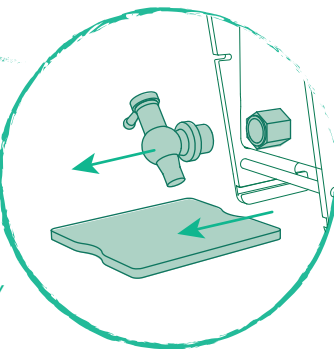


### emptying system

- ensures that every last drop is recovered (no loss or waste)
- makes cleaning easier

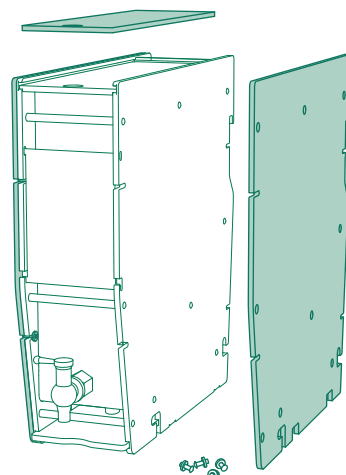
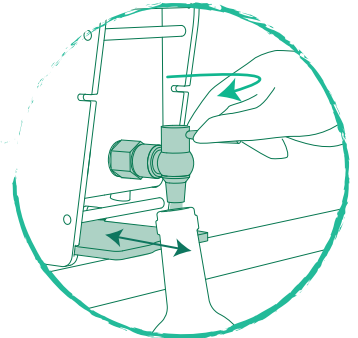
### easy and thorough cleaning

- detachable tap with equipment provided
- removable tray



### easy and clean service

- self-service
- stainless steel tap with locking system
- retractable and removable tray



### ACCESSORIES

#### OPACIFYING PLATES (optional)

2 removable plywood side plates and 1 removable plywood top plate: to further protect oil against UV rays

choice between 3 volumes  
(3L, 6L and 10L)



very easy to clean



great product promotion



easy and clean  
service

with opacifying plates  
(optional)



• Dimensions (in mm)

- model 3L: 116 (w.) x 310 (h.) x 310 (d.)<sup>1</sup>
- model 6L: 116 (w.) x 395 (h.) x 388 (d.)<sup>2</sup>
- model 10L: 144 (w.) x 490 (h.) x 388 (d.)<sup>2</sup>

<sup>1</sup>: min. depth of the furniture unit or shelf: 244 mm  
<sup>2</sup>: min. depth of the furniture unit or shelf: 319 mm

• Materials 

Food-grade recyclable PET-G (without Bisphenol A and phthalates), silicone and stainless steel, solid wood (PEFC)

Opacifying plates : plywood

• Weight

- model 3L: approx. 2.3 kg
- model 6L: approx. 3.3 kg
- model 10L: approx. 4.3 kg



Extended life span



Total reparability



No leftover residue



Easy to clean

**What products are they suitable for?**

Ideal for **liquid honey**

such as: acacia, alder buckthorn, chestnut, oak, summer flowers, forest, alfafa, mountain, orange blossom, blackberry, fir and lime blossom, etc.

The APPLYVRAC® Eterniti® honey dispenser is designed to ensure **CLEAN AND SAFE SERVICE** thanks to their precision tap (patented) and their removable pot-holder. The **EMPTYING SYSTEM** ensures that every last drop of the liquid is recovered; it also makes the dispenser easier to clean.

6L

lid with safety catch

transparent and removable large format label holder

**overflow prevention zone**

*makes the product less likely to overflow when handling the dispenser*

**easy and clean service**

- self-service
- non-drip honey tap with adjustable flow (patented)
- pot-rest tray

**emptying system**

- ensures that every last drop is recovered (no loss or waste)
- makes cleaning easier

**easy and thorough cleaning**

- detachable tap with equipment provided
- removable pot rest



• Dimensions (in mm)

- without tray: 116 (w.) x 395 (h.) x 478 (d.)\*
- with tray: 116 (w.) x 550 (h.) x 478 (d.)\*

\*: min. depth of the furniture unit or shelf: 319 mm

• Materials 

Food-grade recyclable PET-G (without Bisphenol A and phthalates), stainless steel, polyamide and silicone

• Weight

approx. 3.3 kg



Extended life span



Total reparability



No leftover residue



Easy to clean

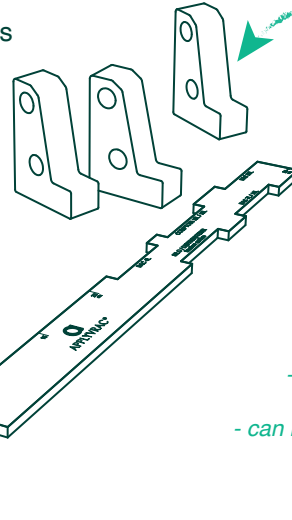
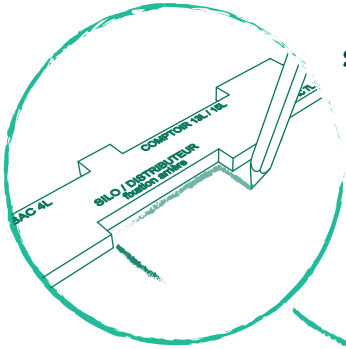
## ATTACHMENT KIT

unique attachment\* system for all APPLYVRAC® Eterniti® dispensers

- Material  
recycled cardboard

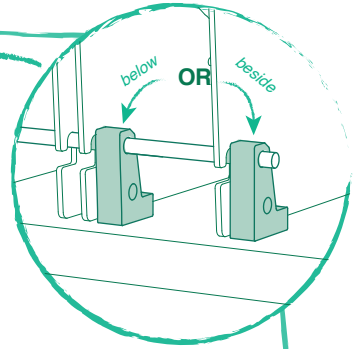
### set square

- defines the position of the L brackets
- ensures quick, easy and safe installation



### L brackets

- for threading and holding the retention bar (not provided)
- can be placed beside or below the distributors to be attached



\*: Bar attachment with brackets is mandatory for gravity dispensers and specific dispensers, and optional for scoop dispensers and display cases in fixed grocery shops.

## FILLING FUNNEL

Identical model for all APPLYVRAC® Eterniti® gravity dispensers

- Material

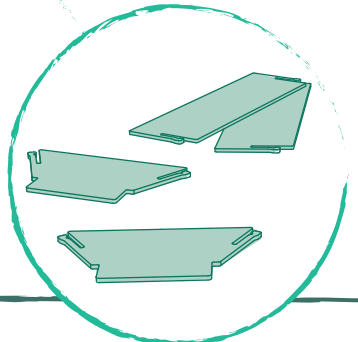
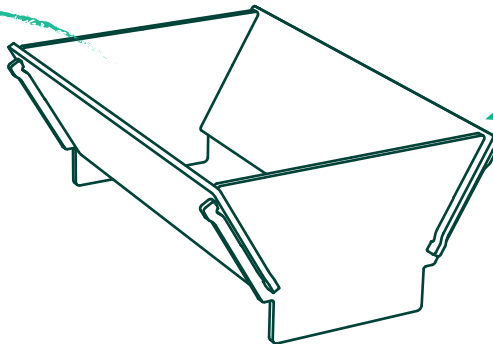
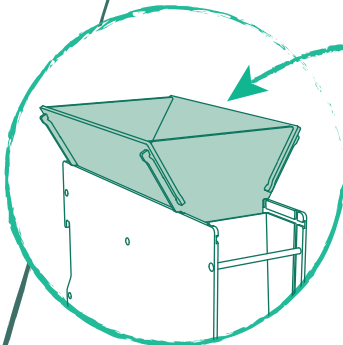
Food-grade recyclable PET-G  
(without Bisphenol A)

### practical

for fast, safe  
and clean filling

### detachable

- takes up less space (delivered flat)
- easy and quick to clean



## SERVING FUNNEL

Adapted to customers' small containers

- Material

Food-grade recyclable HDPE  
(without Bisphenol A)

holes for threading  
a strap  
(safe use)

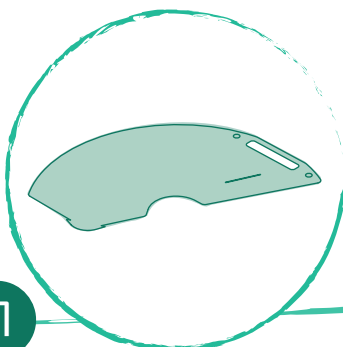
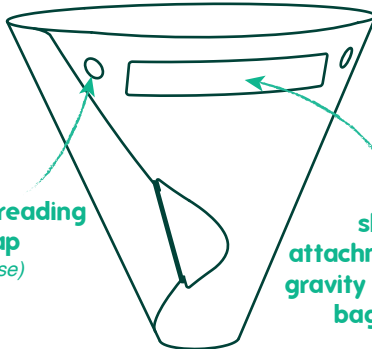
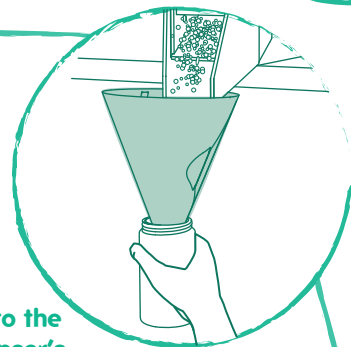
slot for  
attachment to the  
gravity dispenser's  
bag-holder

### practical

- for self service (can be attached to the gravity dispenser's bag-holder)
- identical model for all Applyvrac® gravity dispensers

### can be rolled-up/unrolled

- takes up less space (delivered flat)
- quick and easy to clean

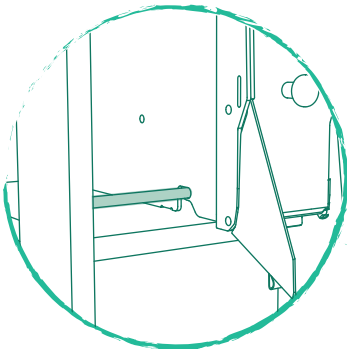


**better**  
space to number  
of references  
**ratio**

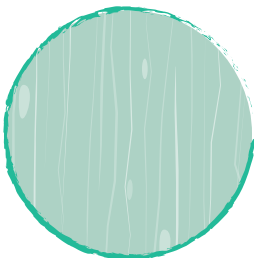
This cabinet is designed for use with APPLYVRAC® Eterniti® 5L, 7L and/or 10L gravity dispensers and 4L and/or 7L scoop dispensers.  
With its **CUSTOMISABLE** and **REMOVABLE SIGN**, it is particularly suitable for **SETTING UP A BULK AREA** in a retail store, concept store, cultural space, shared space (coliving, coworking space, etc.) or for showcasing products from a specific supplier.



**customisable  
and removable sign**  
*more installation freedom*



**integrated mounting bar**  
*- secure dispensers  
- perfect stability during service*

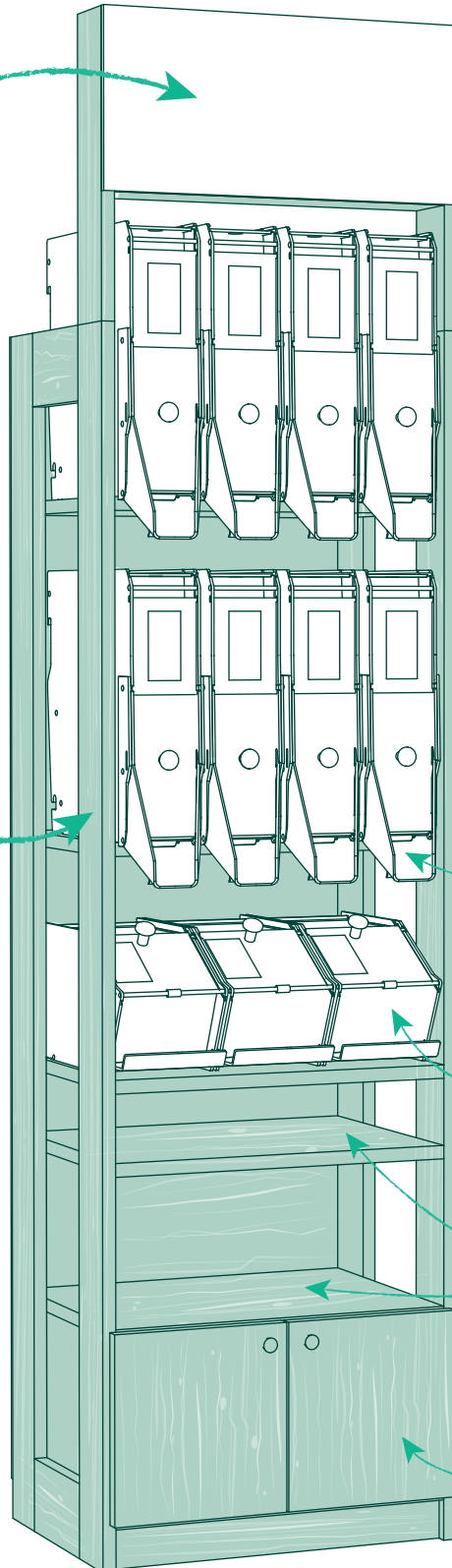


**solid wood**  
*- made of PEFC- and/or FSC-certified pine  
- made in France  
- food-safe varnish*



**several possible configurations:**

- 2 rows of gravity dispensers / 1 row of scoop dispensers
- 1 row of gravity dispensers / 2 rows of scoop dispensers
- 1 row of gravity dispensers / 1 row of scoop dispensers



**1 row of 4 x 5L, 7L and/or 10L gravity dispensers**

**1 row of 4 x 5L and/or 7L gravity dispensers  
OR  
1 row of 3 x 4L and/or 7L scoop dispensers**

**1 row of 3 x 4L and/or 7L scoop dispensers**

**free space for bags, containers or pre-packaged products**

**storage cupboard**



● **Dimensions** (in mm, with dispensers)

560 (w.) x 2250 (h.) x 450 (d.)  
without sign: 560 (w.) x 1950 (h.) x 450 (d.)

● **Capacity**

depending on the configuration:  
- 8 x 5L and/or 7L gravity disp. + 3 x 4L and/or 7L scoop disp.  
- 4 x 10L gravity disp., 4 x 5L and/or 7L gravity disp.  
+ 3 x 4L and/or 7L scoop disp.  
- 4 x 5L and/or 7L gravity disp. + 6 x 4L and/or 7L scoop disp.  
- 4 x 5L and/or 7L gravity disp. + 3 x 4L and/or 7L scoop disp.

● **Materials**

solid pine wood (PEFC-  
and/or FSC-certified)  
food-safe varnish



Extended life span



Less space  
taken up in aisles



Solid wood



Delivered assembled  
ready to install

# Some installation examples of the APPLYVRAC® range eterniti



Grocery shop "Molendini" (Louviers - France)



Roaster shop "Shoukâ" (Annecy - France)



Grocery shop "Au Comptoir d'Aurélie" (Briec - France)



Grocery shop "Bee Vrac" (Strasbourg - France)



Grocery shop "Biocoop Tourne-Sol" (Carcassonne - France)



Grocery shop "Epilebre" - EPFL (Lausanne - Switzerland)



Grocery shop "Au Grain Près" (Marseille - France)



Chocolate factory "Mon Jardin Chocolaté" (Paris - France)



Coliving Neybor (Belgium)



about

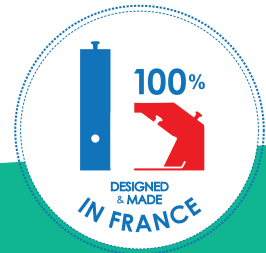


## Our expertise

APPLYMAGE®, based in the Lyon region, has been designing and producing **display cases and dispensers** for various business sectors, including the health and convenience store sectors, **since 2007**.

With its products, APPLYMAGE® aims to **showcase its customers' products** for improved marketing.

APPLYMAGE® products are **distributed** directly or via its customers **across all five continents** in over 80 countries.



## Our approach

APPLYMAGE® and its designers – who have received the "Observateur du Design" award several times – are committed to developing **eco-designed** products that are **made in France**, increasingly **innovative** and **built to last**, and which meet user needs as closely as possible.

APPLYMAGE® invests regularly and heavily in **R&D** and **Intellectual Property** to bring new innovations onto the market each year.

## Applymage® Eco

APPLYMAGE® Eco, with its **Applyvrac®** and **Eterniti®** brands, focuses on developing equipment and solutions intended to improve the layout and dynamism of **retail outlets and convenience stores**, especially **organic** and **bulk grocery shops** as well as **hotels** and **homes**.

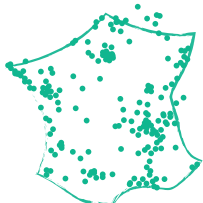
OVER **18** years  
of **experience**

OVER **40,000**  
**Applyvrac®** in service

OVER **600** **grocery**  
**shops** equipped!

registered  
**brands & trademarks**

In France and abroad



Click here

to see our map of the grocery shops that have placed their trust in us!



APPLYMAGE® Eco

18 rue des Frères Lumière  
69680 CHASSIEU - France

+33 (0)9.64.22.06.45  
+33 (0)6.73.52.95.77

contact@applymage.com  
www.applymage-eco.com